

MAX-8

V2312.01



EP
Let's grow together

MAX-8

Excellent Performances & Reliability

CPCD15-35T8

CPQD30-35T8

T8 series 1.5-3.5t forklift

EP EQUIPMENT CO.,LTD
www.ep-equipment.com

CE

CPCD15/18T8

T8 series 1.5-1.8t forklift specification

		EP	
		CPCD15T8-SAQ.2	CPCD18T8-SAQ2
		Diesel	Diesel
General	1 Manufacture		
	2 Model		CPCD18T8-NB485BPG
	3 Power type	Diesel	Diesel
	4 Rated capacity	Kg	1800
	5 Load center	mm	500
	6 Lift height	mm	3000
	7 Free lift height	mm	120
Characteristics & Dimensions	8 Fork size	L×W×T	920×100×40
	9 Mast tilt range	F/R	6/12
	10 Fork overhang(wheel center to fork face)	mm	420
	11 Rear overhang	mm	420
	12 Length to face of fork	mm	2270
	13 Overall width	mm	1080
	14 Mast lowered height	mm	1995
	15 Mast extended height	mm	3960
	16 Overhead guard height	mm	2070
	17 Turning radius(outside)	mm	1995
Performance	18 Min.right angle stacking aisle width (Add load length and clearance)	mm	2400
	19 Travel (No load)	Km/h	14
	20 Speed	mm/sec	460
	21 Lifting (Full load)	mm/sec	450
	22 Lowering (Full load)	mm/sec	450
	23 Max.Drawbar Pull (Full load)	N	14300
	24 Max.Gradeability (Full load)	%	20
	25 Tyres	mm	6.50-10-10PR
	26 Front	mm	5.00-8-10PR
	27 Rear	mm	920
Chassis	28 Wheelbase	mm	1430
	29 Ground clearance	mm	110
	30 Wheelbase center	mm	140
	31 Self weight	Kg	2700
	32 Front load	Kg	3570
	33 Rear load	Kg	630
Weight	34 Distribution	mm	1215
	35 No load	mm	1485
	36 Voltage/Capacity(20HR)	V/AH	12/60
	37 Modal	SAQ2	SAQ2
Power & transmission	38 Manufacture	Mitsubishi	Mitsubishi
	39 Rated output/r.p.m	kw	32.9/2500
	40 Rated torque/r.p.m	N.m	135/2000
	41 No.of cylinder	N.m	131/1800
	42 Bore×Stroke	mm	88×103
	43 Displacement	cc	2505
	44 Fuel tank capacity	L	50
	45 Manufacture	OEM	OEM
	46 Type	Powershift	Powershift
	47 Stage	1/1	1/1
48 Operating pressure	Mpa	15	

1.Special lifting height available (2-stage mast :2.5m,2.7m,3.0m,3.3m,3.5m,3.7m,4m,4.3m,4.5m,5m. Full Free Duplex Mast 3.0m,3.3m,3.5m,3.6m. 3-stage mast : 4.3m,4.5m,4.8m,5m,5.5m,6m)
 2.Attachment available. 3.The specification in the table are for standard models only.For further information please contact us. 4.Specification are subject to change without notice.

CPCD20/25T8

T8 series 2.0-2.5t forklift specification

1 Manufacture		EP											
2 Model		CPCD20T8-S4S	CPCD20T8-C490	CPCD20T8-C240	CPCD20T8-TD27	CPCD25T8-S4S	CPCD25T8-C240	CPCD25T8-TD27	CPCD25T8-GK25				
3 Power type		Diesel	Diesel	Diesel	Diesel	Diesel	Diesel	Diesel	Gasoline				
4 Rated capacity		2000	2000	2000	2000	2500	2500	2500	2500				
5 Load center		500	500	500	500	500	500	500	500				
6 Lift height		3000	3000	3000	3000	3000	3000	3000	3000				
7 Free lift height		120	120	120	120	120	120	120	120				
8 Fork size		L×W×T		1070×120×40		1070×120×40		1070×120×40					
9 Mast tilt range		F/R		6/12		6/12		6/12					
10 Fork overhang(wheel center to fork face)		476		476		476		476					
11 Rear overhang		485		485		485		476					
12 Length to face of fork		2610		2610		2660		2660					
13 Overall width		1150		1150		1150		1150					
14 Mast lowered height		2050		2050		2050		2050					
15 Mast extended height		4200		4200		4200		4200					
16 Overhead guard height		2130		2130		2130		2130					
17 Turning radius(outside)		2170		2170		2230		2230					
18 Min.right angle stacking aisle width (Add load length and clearance)		2680		2680		2740		2740					
19 Travel (No load)		20		20		20		20					
20 Speed		450		450		450		450					
21 Lowering (Full load)		450		450		450		450					
22 Max.Drawbar Pull (Full load)		14300		14300		14800		14800					
23 Max.Gradeability (Full load)		20		20		20		20					
24 Tyres		7.00-12-12PR		7.00-12-12PR		7.00-12-12PR		7.00-12-12PR					
25 Front		6.00-9-10PR		6.00-9-10PR		6.00-9-10PR		6.00-9-10PR					
26 Rear		970		970		970		970					
27 Tread		970		970		970		970					
28 Wheelbase		1600		1600		1600		1600					
29 Ground clearance		120		120		120		120					
30 Wheelbase center		145		145		145		145					
31 Self weight		3580		3580		3920		3920					
32 Full load		4856		4856		5588		5588					
33 Rear		724		724		832		832					
34 Front		1428		1428		1560		1560					
35 No load		2152		2142		2360		2360					
36 Voltage/Capacity(20HR)		12/60		12/80		12/60		12/60					
37 Modal		S4S-DPEU2		C240		C490BPG-25		C240					
38 Manufacture		Mitsubishi		XIN CHAI		XIN CHAI		GCT					
39 Rated output/r.p.m		35.3/2250		34.5/2500		35.3/2250		34.5/2500					
40 Rated torque/r.p.m		177/1700		156/1700-1900		160/2300		139/1800					
41 No.of cylinder		4		4		4		4					
42 Bore×Stroke		94×120		90×105		94×120		86×102					
43 Displacement		3331		2670		2663		2369					
44 Fuel tank capacity		60		60		60		60					
45 Manufacture		OEM		OEM		OEM		OEM					
46 Type		Powershift		Powershift		Powershift		Powershift					
47 Stage		1/1		2/2		1/1		1/1					
48 Operating pressure		17.5		17.5		17.5		17.5					

1.Special lifting height available (2-stage mast :2.5m,2.7m,3.0m,3.3m,3.5m,3.7m,4m,4.3m,4.5m,5m. Full Free Duplex Mast 3.0m,3.3m,3.5m,3.6m. 3-stage mast : 4.3m,4.5m,4.8m,5m,5.5m,6m)
2.Attachment available. 3.The specification in the table are for standard models only.For further information please contact us. 4.Specification are subject to change without notice.

CPC(Q)D30/35T8

T8 series 3.0-3.5t forklift specification

General		EP																		
		CPCD30T8-S4S	CPCD30T8-C490	CPCD30T8-A498	CPCD30T8-C240	CPCD30T8-TD27	Gasoline	Diesel	CPCD35T8-S4S	CPCD35T8-GK25	CPCD35T8-TD27	Gasoline	Diesel	CPCD35T8-A498	CPCD35T8-GK25	CPCD35T8-TD27	Gasoline	Diesel		
1	Manufacture																			
2	Model																			
3	Power type																			
4	Rated capacity	Kg	3000	3000	3000	3000	3000	3000	3000	3000	3000	3000	3000	3000	3000	3000	3000	3000	3000	3000
5	Load center	mm	500	500	500	500	500	500	500	500	500	500	500	500	500	500	500	500	500	500
6	Lift height	mm	3000	3000	3000	3000	3000	3000	3000	3000	3000	3000	3000	3000	3000	3000	3000	3000	3000	3000
7	Free lift height	mm	120	120	120	120	120	120	120	120	120	120	120	120	120	120	120	120	120	120
8	Fork size	LxWxT	1070x125x45	1070x125x45	1070x125x45	1070x125x45	1070x125x45	1070x125x45	1070x125x45	1070x125x45	1070x125x45	1070x125x45	1070x125x45	1070x125x45	1070x125x45	1070x125x45	1070x125x45	1070x125x45	1070x125x45	1070x125x45
9	Mast tilt range	F/R	6/12	6/12	6/12	6/12	6/12	6/12	6/12	6/12	6/12	6/12	6/12	6/12	6/12	6/12	6/12	6/12	6/12	6/12
10	Fork overhang(wheel center to fork face)	mm	481	481	481	481	481	481	481	481	481	481	481	481	481	481	481	481	481	481
11	Rear overhang	mm	590	590	590	590	590	590	590	590	590	590	590	590	590	590	590	590	590	590
12	Length to face of fork	mm	2762	2762	2762	2762	2762	2762	2762	2762	2762	2762	2762	2762	2762	2762	2762	2762	2762	2762
13	Overall width	mm	1200	1200	1200	1200	1200	1200	1200	1200	1200	1200	1200	1200	1200	1200	1200	1200	1200	1200
14	Mast lowered height	mm	2070	2070	2070	2070	2070	2070	2070	2070	2070	2070	2070	2070	2070	2070	2070	2070	2070	2070
15	Mast extended height	mm	4210	4210	4210	4210	4210	4210	4210	4210	4210	4210	4210	4210	4210	4210	4210	4210	4210	4210
16	Overhead guard height	mm	2180	2180	2180	2180	2180	2180	2180	2180	2180	2180	2180	2180	2180	2180	2180	2180	2180	2180
17	Turning radius(outside)	mm	2450	2450	2450	2450	2450	2450	2450	2450	2450	2450	2450	2450	2450	2450	2450	2450	2450	2450
18	Min.right angle stacking aisle width (Aid load length and clearance)	mm	2950	2950	2950	2950	2950	2950	2950	2950	2950	2950	2950	2950	2950	2950	2950	2950	2950	2950
19	Travel (No load)	Km/h	20	20	20	20	20	20	20	20	20	20	20	20	20	20	20	20	20	20
20	Speed	mm/sec	400	400	400	400	400	400	400	400	400	400	400	400	400	400	400	400	400	400
21	Lifting (Full load)	mm/sec	400	400	400	400	400	400	400	400	400	400	400	400	400	400	400	400	400	400
22	Lowering (Full load)	mm/sec	400	400	400	400	400	400	400	400	400	400	400	400	400	400	400	400	400	400
23	Max.Drawbar Pull (Full load)	N	21000	21000	21000	21000	21000	21000	21000	21000	21000	21000	21000	21000	21000	21000	21000	21000	21000	21000
24	Max.Gradeability (Full load)	%	20	20	20	20	20	20	20	20	20	20	20	20	20	20	20	20	20	20
25	Tyres	mm	28x9-15-12PR	28x9-15-12PR	28x9-15-12PR	28x9-15-12PR	28x9-15-12PR	28x9-15-12PR	28x9-15-12PR	28x9-15-12PR	28x9-15-12PR	28x9-15-12PR	28x9-15-12PR	28x9-15-12PR	28x9-15-12PR	28x9-15-12PR	28x9-15-12PR	28x9-15-12PR	28x9-15-12PR	28x9-15-12PR
26	Tread	mm	6.50-10-10PR	6.50-10-10PR	6.50-10-10PR	6.50-10-10PR	6.50-10-10PR	6.50-10-10PR	6.50-10-10PR	6.50-10-10PR	6.50-10-10PR	6.50-10-10PR	6.50-10-10PR	6.50-10-10PR	6.50-10-10PR	6.50-10-10PR	6.50-10-10PR	6.50-10-10PR	6.50-10-10PR	6.50-10-10PR
27	Wheelbase	mm	1010	1010	1010	1010	1010	1010	1010	1010	1010	1010	1010	1010	1010	1010	1010	1010	1010	1010
28	Ground clearance	mm	980	980	980	980	980	980	980	980	980	980	980	980	980	980	980	980	980	980
29	Lowest	mm	1700	1700	1700	1700	1700	1700	1700	1700	1700	1700	1700	1700	1700	1700	1700	1700	1700	1700
30	Wheelbase center	mm	140	140	140	140	140	140	140	140	140	140	140	140	140	140	140	140	140	140
31	Self weight	Kg	175	175	175	175	175	175	175	175	175	175	175	175	175	175	175	175	175	175
32	Weight	kg	4450	4450	4450	4450	4450	4450	4450	4450	4450	4450	4450	4450	4450	4450	4450	4450	4450	4450
33	Weight	kg	6488	6488	6488	6488	6488	6488	6488	6488	6488	6488	6488	6488	6488	6488	6488	6488	6488	6488
34	Distribution		962	962	962	962	962	962	962	962	962	962	962	962	962	962	962	962	962	962
35	Battery	V/AH	1810	1810	1810	1810	1810	1810	1810	1810	1810	1810	1810	1810	1810	1810	1810	1810	1810	1810
36	Voltage/Capacity(20HR)		2840	2840	2840	2840	2840	2840	2840	2840	2840	2840	2840	2840	2840	2840	2840	2840	2840	2840
37	Modal		12/60	12/60	12/60	12/60	12/60	12/60	12/60	12/60	12/60	12/60	12/60	12/60	12/60	12/60	12/60	12/60	12/60	12/60
38	Manufacture		SAS-DPEU2	C490BPG-25	A498BT1-39	C240	ISUZU	ISUZU	ISUZU	ISUZU	GCT	GCT	GCT	S4S-DPEU2	A498BT1-39	TD27	GK25	GK25	GCT	GCT
39	Rated output/r.p.m	kw	Mitsubishi	XIN CHAI	XIN CHAI	XIN CHAI	XIN CHAI	XIN CHAI	XIN CHAI	XIN CHAI	XIN CHAI	XIN CHAI	XIN CHAI	Mitsubishi	Mitsubishi	Mitsubishi	Mitsubishi	Mitsubishi	Mitsubishi	Mitsubishi
40	Rated torque/r.p.m	N.m	35.3/2250	36.8/2400	36.8/2400	34.5/2500	38.5/2300	38.5/2300	38.5/2300	38.5/2300	37.4/2300	37.4/2300	37.4/2300	35.3/2250	36.8/2400	36.8/2400	36.8/2400	36.8/2400	36.8/2400	36.8/2400
41	Engine	No.of cylinder	1771/1700	156/1700-1900	186/1600-1800	139/1800	160/2300	160/2300	160/2300	160/2300	176.5/1600	176.5/1600	176.5/1600	1771/1700	186/1600-1800	186/1600-1800	160/2300	160/2300	160/2300	160/2300
42	Bore*Stroke	mm	4	4	4	4	4	4	4	4	4	4	4	4	4	4	4	4	4	4
43	Displacement	cc	94x120	90x105	95x105	86x102	96/92	96/92	96/92	96/92	89x100	89x100	89x100	94x120	95x105	95x105	96/92	96/92	96/92	96/92
44	Fuel tank capacity	L	3331	2670	2980	2369	2663	2663	2663	2663	2488	2488	2488	3331	2980	2980	2663	2663	2663	2663
45	Transmissions	Type	70	60	70	70	60	60	60	60	70	70	70	70	70	70	60	60	60	60
46	Transmissions	Type	OEM	OEM	OEM	OEM	OEM	OEM	OEM	OEM	OEM	OEM	OEM	OEM	OEM	OEM	OEM	OEM	OEM	OEM
47	Stage	Stage	1/1	1/1	1/1	1/1	1/1	1/1	1/1	1/1	1/1	1/1	1/1	1/1	1/1	1/1	1/1	1/1	1/1	1/1
48	Operating pressure	Mpa	17.5	17.5	17.5	17.5	17.5	17.5	17.5	17.5	17.5	17.5	17.5	17.5	17.5	17.5	17.5	17.5	17.5	17.5

1.Special lifting height available. (2-stage mast:2.5m,2.7m,3.0m,3.3m,3.6m,3.7m,4m,4.3m,4.5m,5m. Full Free Duplex Mast 3.0m,3.3m,3.5m,3.6m. 3-stage mast : 4.3m,4.5m,4.8m,5m,5.5m,6m)
 2.Attachment available. 3.The specification in the table are for standard models only,For further information please contact us. 4.Specification are subject to change without notice.

CPCD20/25/30/35T8

T8 series 2.0-3.5t forklift specification (Meets Euro Stage V Legislation)

General		EP	
1	Manufacture	CPCD20T8	CPCD25T8
2	Model	Diesel	Diesel
3	Power Type	2000	3000
4	Rated capacity	500	500
5	Load center	3000	3000
6	Lift height	120	120
7	Free lift height	1070x120x40	1070x125x45
8	Fork size	612	612
9	Mast tilt range	476	481
10	Fork overhang(wheel center to fork face)	485	550
11	Rear overhang	2610	2762
12	Length to face of fork	1150	1200
13	Overall width	2050	2070
14	Mast lowered height	4200	4210
15	Mast extended height	2130	2180
16	Overhead guard height	2170	2450
17	Turning radius(outside)	2660	2950
18	Min.right angle stacking aisle width (Add load length and clearance)	20	20
19	Travel (No load)	450	400
20	Lifting (Full load)	450	400
21	Lowering (Full load)	14300	21000
22	Max.Drawbar Pull (Full load)	7.00-12-12PR	28x9-15-12PR
23	Max.Gradeability (Full load)	6.00-9-10PR	6.50-10-10PR
24	Tyres	970	970
25	Front	1600	1600
26	Front	970	980
27	Rear	145	145
28	Wheelbase	3580	3920
29	Lowest	4856	5588
30	Wheelbase center	724	832
31	Self weight	1428	1560
32	Full load	2142	2360
33	Rear		
34	Front		
35	No load		
36	Battery	12/105	12/105
37	Modal	3E2YGS1	XIN CHAI
38	Manufacture	44.8/2400	21071600-1600
39	Rated output/r.p.m		
40	Rated torque/r.p.m		
41	No of cylinder		
42	Bore*Stroke		
43	Displacement		
44	Fuel tank capacity		
45	Manufacture		
46	Type		
47	Stage		
48	Operating pressure		

1.Special lifting height available (2-stage mast :2.5m,2.7m,3.0m,3.3m,3.6m,3.7m,4m,4.3m,4.5m,5m. Full Free Duplex Mast 3.0m,3.3m,3.5m,3.6m. 3-stage mast : 4.3m,4.5m,4.8m,5m,5.5m,6m)

2.Attachment available. 3.The specification in the table are for standard models only,For further information please contact us. 4.Specification are subject to change without notice.

1.5~1.8t T8 series mast: (pneumatic)

Type	Model	Max. fork height	Overall height				Free lift		Front Overhang		Tilt range		Capacity			
			Lowered	Extended		Without backrest	With backrest	1.5t	1.8t	FWD	BWD	Load capacity at 500 mm				
				Without backrest	With backrest							Single tire		Double tire		
				mm	mm							1.5t	1.8t	1.5t	1.8t	
Wide view mast	2W200	2000	1495	2585	2955	120	120	420	420	6	12	1500	1800	1500	1800	
	2W250	2500	1745	3085	3455	120	120	420	420	6	12	1500	1800	1500	1800	
	2W270	2700	1845	3285	3655	120	120	420	420	6	12	1500	1800	1500	1800	
	2W300	3000	1995	3585	3955	120	120	420	420	6	12	1500	1800	1500	1800	
	2W330	3300	2145	3885	4255	120	120	420	420	6	12	1500	1800	1500	1800	
	2W350	3500	2245	4085	4455	120	120	420	420	6	12	1500	1800	1500	1800	
	2W360	3600	2295	4185	4555	120	120	420	420	6	12	1500	1800	1500	1800	
	2W400	4000	2545	4585	4955	120	120	420	420	6	12	1400	1700	1500	1800	
	2W430	4300	2695	4885	5255	120	120	420	420	6	6	1300	1600	1400	1700	
	2W450	4500	2795	5085	5455	120	120	420	420	6	6	1250	1500	1350	1600	
wide view full 2-stage mast	2F250	2500	1790	3105	3455	1045	765	420	420	6	12	1500	1800	1500	1800	
	2F270	2700	1890	3305	3655	1145	865	420	420	6	12	1500	1800	1500	1800	
	2F300	3000	2040	3605	3955	1345	1105	420	420	6	12	1500	1800	1500	1800	
	2F330	3300	2190	3905	4255	1495	1165	420	420	6	12	1500	1800	1500	1800	
	2F360	3600	2340	4205	4555	1645	1315	420	420	6	12	1500	1800	1500	1800	
	2F400	4000	2540	4605	4955	1815	1565	420	420	6	12	1400	1700	1500	1800	
wide view full 3-stage mast	3F430	4300	1965	5070	5255	1425	1080	440	440	6	6	1250	1500	1350	1600	
	3F450	4500	2045	5130	5465	1485	1140	440	440	6	6	1200	1400	1300	1500	
	3F480	4800	2160	5445	5755	1575	1230	440	440	6	6	1100	1300	1200	1400	
	3F500	5000	2210	5605	5955	1665	1320	440	440	6	6	1050	1200	1150	1300	
	3F550	5500	2375	6120	6455	1825	1480	440	440	3	6	/	/	950	1100	
	3F600	6000	2600	6695	6955	1975	1630	440	440	3	6	/	/	750	900	

Note: 1. With sideshifter minus 150Kg, with integral sideshifter minus 100Kg.

2.0~2.5t T8 series mast: (pneumatic)

Type	Model	Max. fork height	Overall height				Free lift		Front Overhang		Tilt range		Capacity			
			Lowered	Extended		Without backrest	With backrest	2.0t	2.5t	FWD	BWD	Load capacity at 500 mm				
				Without backrest	With backrest							Single tire		Double tire		
				mm	mm							2.0t	2.5t	2.0t	2.5t	
Wide view mast	2W200	2000	1550	2740	3420	120	120	476	476	6	10	2000	2500	2000	2500	
	2W250	2500	1800	3040	3720	120	120	476	476	6	10	2000	2500	2000	2500	
	2W270	2700	1900	3240	3920	120	120	476	476	6	10	2000	2500	2000	2500	
	2W300	3000	2050	3540	4220	120	120	476	476	6	10	2000	2500	2000	2500	
	2W330	3300	2200	3690	4370	120	120	476	476	6	10	2000	2500	2000	2500	
	2W350	3500	2300	3890	4570	120	120	476	476	6	10	2000	2500	2000	2500	
	2W360	3600	2350	3990	4670	120	120	476	476	6	10	2000	2500	2000	2500	
	2W400	4000	2600	4040	4720	120	120	476	476	6	10	1900	2300	2000	2500	
	2W430	4300	2750	4340	5020	120	120	476	476	6	6	1800	2100	1950	2450	
	2W450	4500	2850	4290	4970	120	120	476	476	6	6	1700	2000	1900	2400	
wide view full 2-stage mast	2F250	2500	1785	2090	2770	1210	560	476	476	6	10	2000	2500	2000	2500	
	2F270	2700	1885	2290	2970	1310	660	476	476	6	10	2000	2500	2000	2500	
	2F300	3000	2035	2590	3270	1460	810	476	476	6	10	2000	2500	2000	2500	
	2F330	3300	2185	3840	4520	1610	960	476	476	6	10	2000	2500	2000	2500	
	2F360	3600	2335	4140	4820	1760	1110	476	476	6	10	2000	2500	2000	2500	
	2F400	4000	2585	4540	5220	2060	1410	476	476	6	10	1900	2300	2000	2500	
wide view full 3-stage mast	3F430	4300	2035	4880	5560	1360	730	490	490	6	6	1700	2000	1900	2400	
	3F450	4500	2115	5040	5720	1460	810	490	490	6	6	1600	1900	1800	2300	
	3F480	4800	2220	5345	6020	1565	915	490	490	6	6	1500	1700	1700	2100	
	3F500	5000	2305	5540	6220	1610	960	490	490	6	6	1400	1600	1600	2000	
	3F550	5500	2555	6120	6800	1770	1120	490	490	3	6	1050	1200	1500	1800	
	3F600	6000	2805	6540	7220	2020	1370	490	490	3	6	700	800	1400	1600	

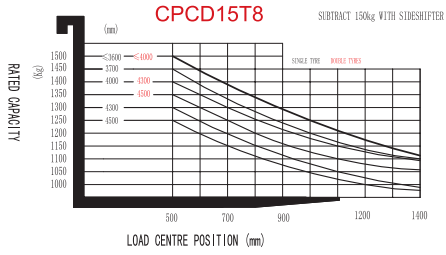
Note: 1. With sideshifter minus 150Kg, with integral sideshifter minus 100Kg.

3.0-3.5t T8 series mast: (pneumatic)

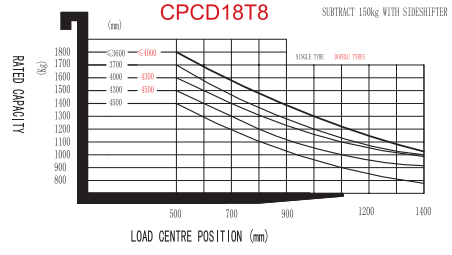
Type	Model	Max. fork height	Overall height				Free lift		Front Overhang		Tilt range		Capacity			
			Lowered	Extended		Without backrest	With backrest	3.0t	3.5t	FWD	BWD	Load capacity at 500 mm				
				Without backrest	With backrest							Single tire		Double tire		
				mm	mm							3.0t	3.5t	3.0t	3.5t	
Wide view mast	2W200	2000	1570	2570	3250	120	120	481	486	6	12	3000	3000	3500	3500	
	2W250	2500	1820	3070	3750	120	120	481	486	6	12	3000	3000	3500	3500	
	2W270	2700	1920	3270	3950	120	120	481	486	6	12	3000	3000	3500	3500	
	2W300	3000	2070	3570	4250	120	120	481	486	6	12	3000	3000	3500	3500	
	2W330	3300	2220	3690	4370	120	120	481	486	6	12	3000	3000	3500	3500	
	2W350	3500	2320	3890	4570	120	120	481	486	6	12	3000	3000	3500	3500	
	2W360	3600	2370	3990	4670	120	120	481	486	6	12	3000	3000	3500	3500	
	2W400	4000	2620	4040	4720	120	120	481	486	6	12	2850	3000	3250	3500	
	2W430	4300	2770	4340	5020	120	120	481	486	6	6	2700	2900	3000	3400	
	2W450	4500	2870	4290	4970	120	120	481	486	6	6	2550	2850	2850	3350	
wide view full 2-stage mast	2F250	2500	1830	2220	2900	1210	560	481	486	6	12	3000	3000	3500	3500	
	2F270	2700	1930	2320	3000	1310	660	481	486	6	12	3000	3000	3500	3500	
	2F300	3000	2080	2620	3300	1460	810	481	486	6	12	3000	3000	3500	3500	
	2F330	3300	2230	3870	4550	1610	960	481	486	6	12	3000	3000	3500	3500	
	2F360	3600	2380	4020	4700	1760	1110	481	486	6	12	3000	3000	3500	3500	
	2F400	4000	2580	4420	5100	2060	1410	481	486	6	12	2850	3000	3250	3500	
wide view full 3-stage mast	3F430	4300	2055	4910	5570	1360	730	495	500	6	6	2550	2850	2850	3350	
	3F450	4500	2135	5070	5750	1460	810	495	500	6	6	2400	2700	2700	3200	
	3F480	4800	2240	5375	6050	1565	915	495	500	6	6	2250	2550	2450	2950	
	3F500	5000	2325	5570	6250	1610	960	495	500	6	6	1650	2250	2300	2800	
	3F550	5500	2575	6150	6830	1770	1120	495	500	3	6	1800	2250	1800	2550	
	3F600	6000	2825	6570	7250	2020	1370	495	500	3	6	1200	2100	1300	2300	

Note: 1. With sideshifter minus 200Kg, with integral sideshifter minus 150Kg.

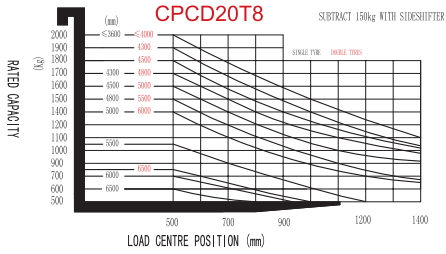
RATED CAPACITIES AND LOAD CENTERS GRAPH



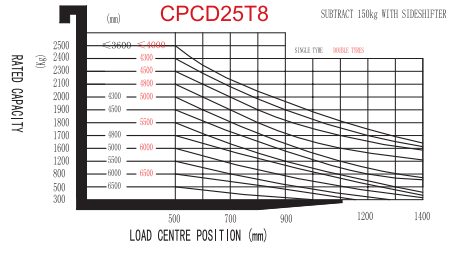
RATED CAPACITIES AND LOAD CENTERS GRAPH



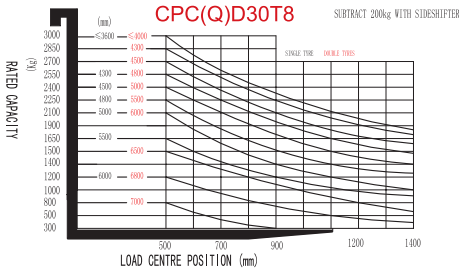
RATED CAPACITIES AND LOAD CENTERS GRAPH



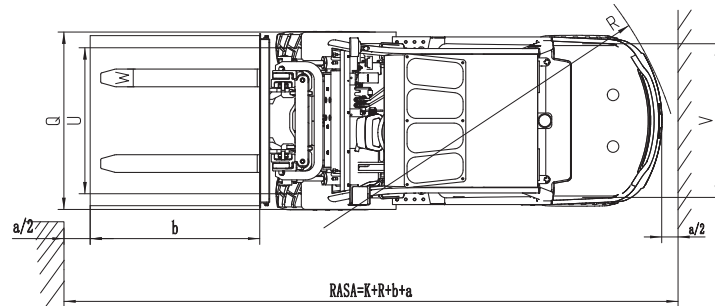
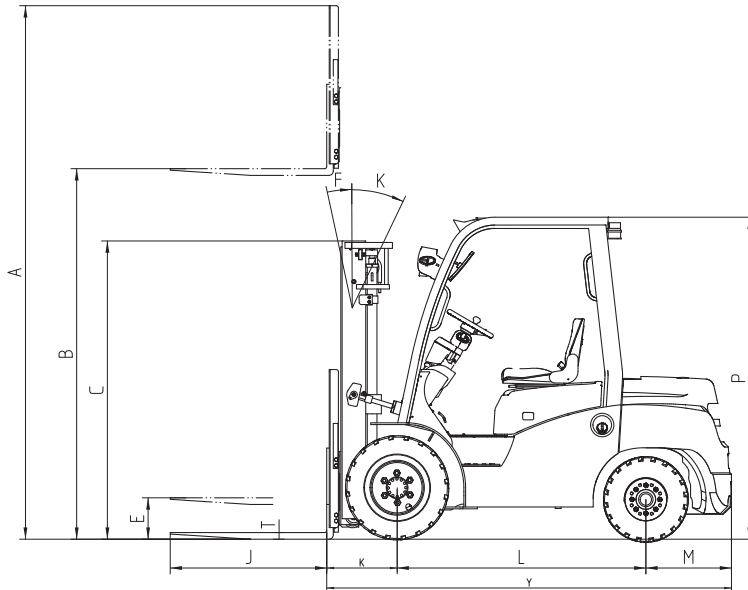
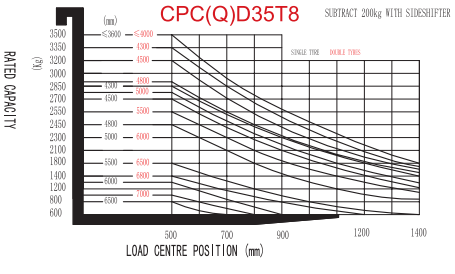
RATED CAPACITIES AND LOAD CENTERS GRAPH



RATED CAPACITIES AND LOAD CENTERS GRAPH



RATED CAPACITIES AND LOAD CENTERS GRAPH



Option

Options	15/18T8	20/25T8	30T8	35T8
1 Fork length	○	○	○	○
2 Fork extension	○	○	○	○
3 Folded fork	○	○	○	○
4 Imported diesel engine	○	○	○	○
5 Import Gasoline Engine	○	○	○	○
6 LPG system	○	○	○	○
7 High exhaust	○	○	○	○
8 Dual air clearers or special air cleaner	○	○	○	○
9 Solid rubber tire	○	○	○	○
10 No marking solid tire	○	○	○	○
11 Overhead guard	●	●	●	●
12 Mast options	○	○	○	○
13 Attachments	○	○	○	○
14 Integrated side shift	○	○	○	○
15 Cockpit	●	●	●	●
16 heater	○	○	○	○
17 Front windshield with wiper	○	○	○	○
18 Rear windshield with wiper	○	○	○	○
19 Fan	○	○	○	○
20 Full steel cabin room	○	○	○	○
21 LED front light	●	●	●	●
22 Rear working LED light	○	○	○	○
23 Fire extinguisher	○	○	○	○
24 Suspension seat	○	○	○	○
25 Seat switch	●	●	●	●
26 Warning light	●	●	●	●
27 Insulation mat	○	○	○	○
28 Double front tyre	○	○	○	○
29 OPS system	○	○	○	○

Note: ● standard ○ option — NA

