






## 4 SERIES

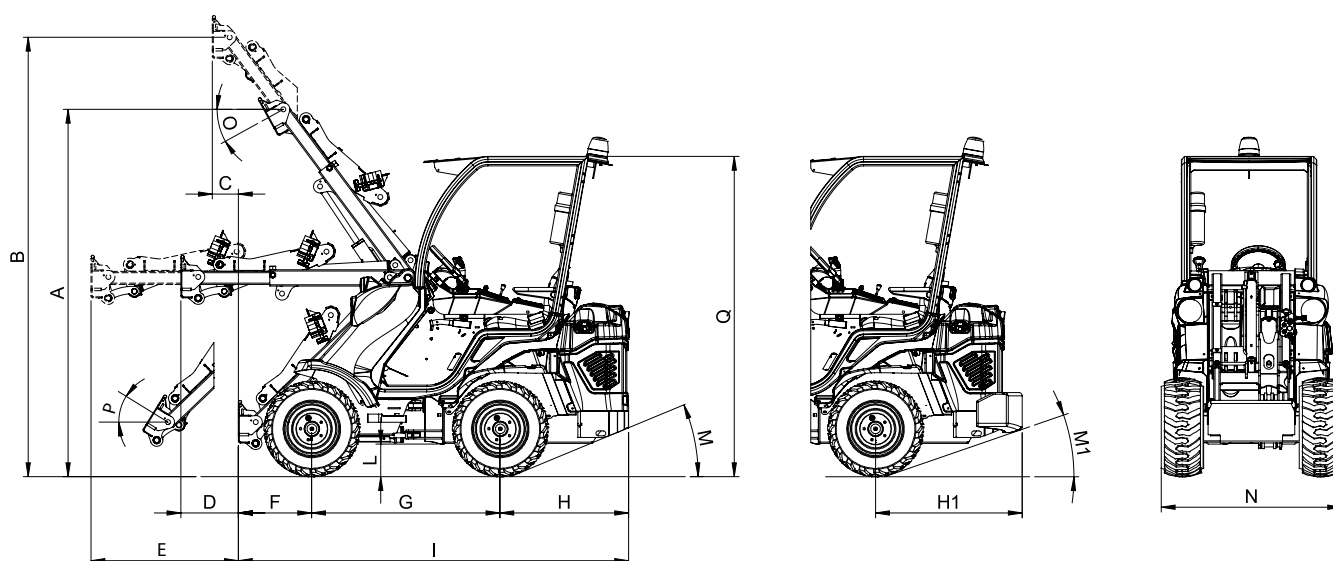
<http://tiny.cc/4seriesEN>


 TIPPING LOAD <b>1020</b> kg	 ENGINE POWER <b>20</b> hp	 SPEED <b>14</b> km/h	 FLOW RATE <b>31</b> l/min	 LIFT HEIGHT <b>2,75</b> m
--	---	---	--	--

Model	4.2
Engine	Kubota D722
Power (Iso Gross)	20 HP
Fuel	Diesel
Transmission	Hydrostatic
Drive speed (max.) (1)	14 km/h (8.7 mph)
Aux. hydraulics oil flow	31 l/min (8.2 GPM)
Max. lifting height	2,75 m (108 in)
Tipping load, max (2)	1020 kg (2249 lbs)
Lifting capacity straight (3)	820 kg (1808 lbs)
Lifting capacity fully articulated (4)	700 kg (1543 lbs)
Breakout force / 50 cm (19.7 in)	800 kg (1764 lbs)
Pushing force (c)	900 kgf (900 kp)
Specific ground pressure (w/standard tires)	815 kg/m <sup>2</sup> (167 lbs/sqft)
Turning radius: inside/outside	890/1890 mm (35/74.4 in)
Standard tires (Tractor profile)	23x8.50-12
Weight	940 kg (2072 lbs)
Product Code	C944000
Price	

(1) Maximum speed that can be achieved with the largest diameter tires available, on a flat surface and machine without attachments. (2) Maximum load that can be lifted just off the ground when the machine is straight, with rear weights and boom not extended. Weight of attachment included. (3) Machine straight, with rear weights and boom not extended. Weight of attachment is included. (80% of tipping load) (4) Machine fully articulated, with rear weights and boom not extended. Weight of attachment is included.

## 4 SERIES - FEATURES AND OPTIONS



### DIMENSIONS (mm / in)

A - Pivot point height (not extended boom)	2250 / 88.6	I - Machine length	2390 / 94.1
B - Pivot point height (extended boom)	2750 / 108.3	L - Ground clearance	200 / 7.9
C - Outreach with lifted boom (extended boom)	160 / 6.3	M - Angle of departure	19°
D - Outreach with orizontal boom (not extended)	350 / 13.8	M1 - Angle of departure with rear weights	19°
E - Outreach with orizontal boom (extended)	900 / 35.4	N - Max width (with standard tires)	980 / 38.6
F - Front length	450 / 17.7	O - Dump angle	29°
G - Wheelbase	1150 / 45.3	P - Rollback angle	31°
H - Rear length	790 / 31.1	Q - Height (with standard tires)	1960 / 77.2
H1 - Rear length with rear weights	900 / 35.4		

### Features

- 4WD hydrostatic Direct Drive motors, proportional servo control
- Hydraulic oil cooler
- Hydraulic multiconnector
- Double-H telescopic boom
- 4-functions joystick
- ROPS-FOPS Level I
- LCD graphic display with programmed service (tachometer, hour meter, fuel gauge, maintenance light, light indicator and other 14 indicators)
- 2 front working light
- Seat with armrests and seat belt, adjustable position
- Tipping sensor
- Mechanical parking brake
- High efficiency wheel motors

Tires size	Width (N)	Height (Q)
23x8.50-12	980 mm (38.6 in)	1960 mm (77.2 in)
23x10.50-12 ET-25	1090 mm (42.9 in)	1960 mm (77.2 in)
27x8.50-15	1000 mm (39.4 in)	2010 mm (79.1 in)
26x12.00-12 ET-50	1200 mm (47.2 in)	1998 mm (78.6 in)

## 4 - 5 SERIES - FEATURES AND OPTIONS

Options	Code	Price
Attachment coupling plate for rear mounting	C880031	
Driver area cover	C880049	
Rear weights 180 kg/396 lbs (90kg/198lbs+90kg/198 lbs)	C880054	
4 wheel spacer 10 mm (0,2 in)(max. 2 pcs for wheel)	C880090	
Flat face coupling kit	C880221	
Torque divider	C883004	
3 additional working LED light	C883018	
Rear 12V electric socket	C883022	
Beacon light	C883039	
Rear bull bar	C883047	
Biodegradable oil	C883058	
Multifunction joystick (only 4.2 and 5.2)	C883061	
3 additional working halogen light	C883064	
Tie down bracket on wheel hub, set of 4	C883065	
Floating boom valve for 4.2 without self-leveling boom	C883401	
Rear hydraulic outlets - single	C883501	
Rear hydraulic outlets - double	C883502	
Additional front hydraulic outlets (only 5.3)	C883503	
Plexiglass windscreen (smart cabin)	C883506	
Plexiglass right side (smart cabin)	C883507	
Plexiglass back window (smart cabin)	C883508	
Fully enclosed cab with sound insulation linen and mirrors	C883510	
Warning & Safety lights for road travel with mirrors	C883511	
Backup warning beeper	C883512	
Tractor tires 23x8.50-12, set of 4	C884005	
Turf tires 23x8.50-12, set of 4	C884006	
Tractor tires 23x10.50-12 ET-25, set of 4	C884007	
Turf tires 23x10.50-12 ET-25, set of 4	C884008	
Tractor tires 26x12.00-12 ET-50, set of 4	C884009	

## 4 - 5 SERIES - FEATURES AND OPTIONS

Options	Code	Price
Turf tires 26x12.00-12 ET-50, set of 4	C884010	
Skid tires 27x8.50-15, set of 4	C884011	
Wheel spacer 55 mm (2,2 in), set of 4	C885010	
Trailer coupling	C885014	
Left protection bar for operator	C885026	
Heating system	C885205	
Heated seat	C885216	
Floating boom valve	C885223	
220 V engine block heater	C885250	
110 V engine block heater	C885255	
Snow chains for wheel	see page 66	

Machine packages	Code	Price
4.2	ALL SEASON: Fully enclosed cab with sound insulation linen and mirrors + Heating system + Floating boom valve + Work light kit + Engine Block Heater	C944000/AS
	COMFORT: Heated seat + 3 additional working led lights + Floating boom valve	C944000/C
5.2	ALL SEASON: Fully enclosed cab with sound insulation linen and mirrors + Heating system + Floating boom valve + Work light kit + Engine Block Heater	C977016/AS
	COMFORT: Heated seat + 3 additional working led lights + Floating boom valve	C977016/C
5.3	ALL SEASON: Fully enclosed cab with sound insulation linen and mirrors + Heating system + Floating boom valve + Work light kit + Engine Block Heater	C977037/AS
	COMFORT: Heated seat + 3 additional working led lights + Floating boom valve	C977037/C